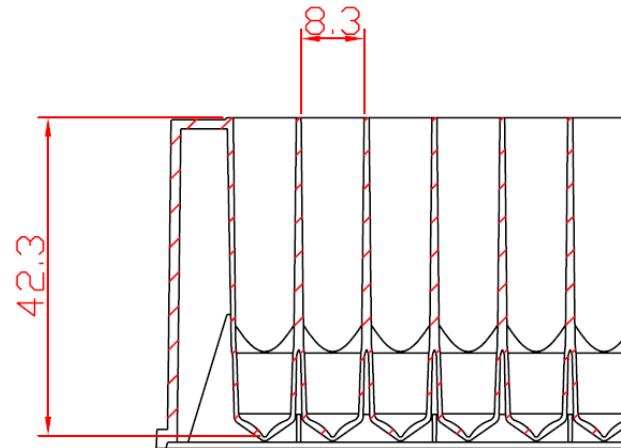
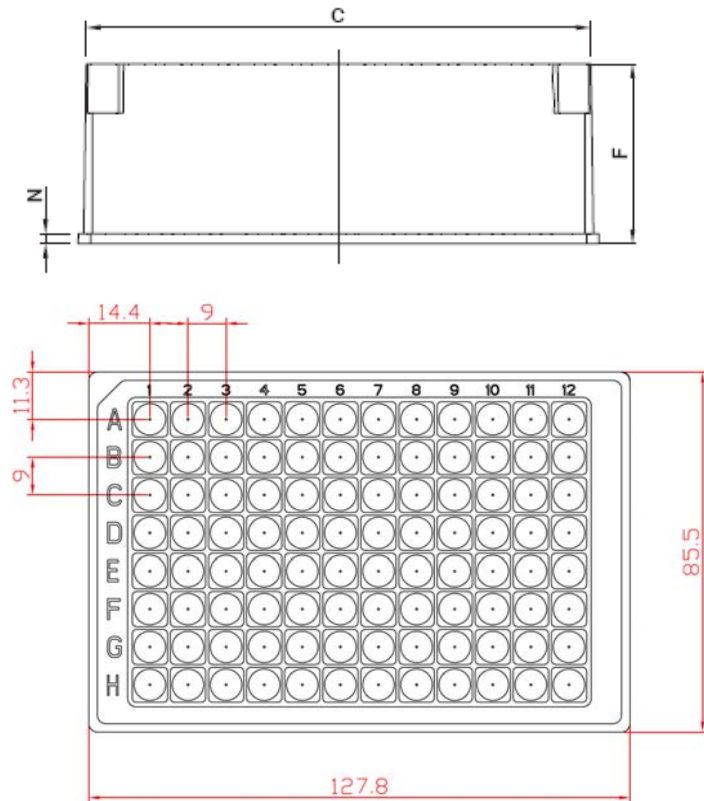


General Arrangement Drawings Deepwell Plates for Chromatography-Square Well

ITEMCODE	Description	A	B	C	D	F	G1	H	J	K	L	M	N
		BASE LENGTH	BASE WIDTH	TOP LENGTH	TOP WIDTH	OVERALL HEIGHT	DIA TOP	A - I LOCATION (X)	A - I LOCATION (Y)	WELL TO WELL SPACING	WELL DEPTH	BOTTOM OF WELL DISTANCE	FLANGE SHORT SIDE
LPP.2000SVPP	96-Well MicroWell Microplate, square well-2.2mL	127.8	85.5	125.4	84.3	43.7	8.3	14.4	11.2	9	42.3	1.4 (est)	2.5

LPP.2000SVPP



Notes.

Drawings are for instrument set-up purposes and are not manufacturing drawings. LEAP PAL Parts is providing information that has been supplied by the original manufacturer and is not responsible for subsequent changes or modifications.

All dimensions mm